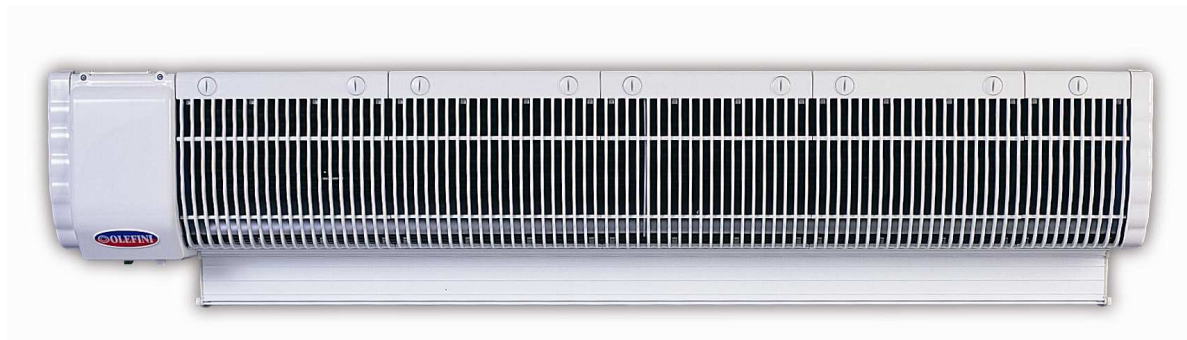


COMMERCIAL TYPE - **SIMPLE** AIR CURTAINS

100 mm cross flow fan



# L,R - 11 W



**For use in :**

- **Small Shops**
- **Bars**
- **Cafeterias**
- **Small Hotels**
- **Banks**
- **Schools**
- **Super markets**



## COMMERCIAL TYPE - SIMPLE AIR CURTAINS

100 mm cross flow fan

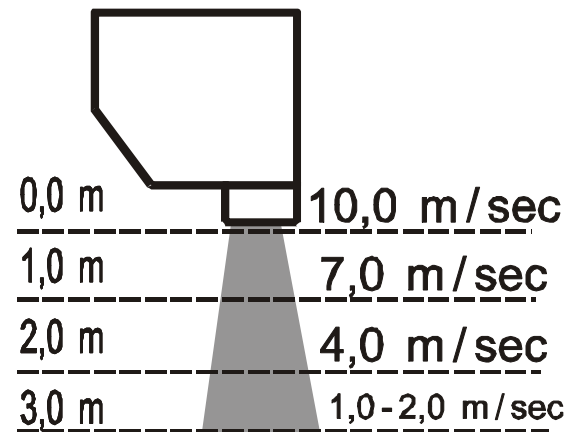


Air Curtain L,R - 11 W is capable of covering openings of 0.70 m long

### Technical Details

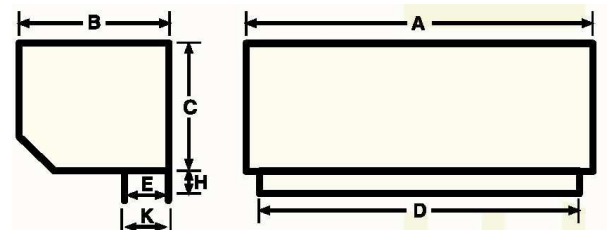
Max Door Height (m)	2.5
Max Door Width (m)	0.70
Outlet Velocity (m/sec)	10/9/8
Air Volume (m <sup>3</sup> /h)	1008/907/806
Motor Power (W)	120
Capacitor (µF)	4
Motor Speed (rpm)	1300/1100/900
Power Supply	230V, 1N, 50Hz
Noise level in 1 m (dB)	54/51/45

### AIR VELOCITY DISTRIBUTION CHART



### Dimensions

A: Total Length	847±1 (mm)
B: Total Width	166 (mm)
C: Height	172 (mm)
D: Outlet Length	700 (mm)
E: Outlet Width (int.)	40 (mm)
K: Outlet width (ext.)	54 (mm)
H: Outlet Height	64 (mm)
Weight	8 (Kgr)



**COMMERCIAL TYPE - SIMPLE AIR CURTAINS**  
100 mm cross flow fan

---



## OPERATIONAL CHOICES

### A) Standard operation

ON-OFF & HI-LOW Switches placed on the control panel on the Unit body



### B) Wired Remote Control Operation

Wall Mounted Wired Remote Control ( from 2.5m up to 6 m cable) which additionally can be supplied with an Infrared Remote Control as well .



### C) Infrared Remote Control Operation

Unit is provided with a build in Panel ( electronic ) and an Infrared Remote Control .



### Cases B and C can be either delivered :

- 1). Two speed operation ( HI - LOW )
- 2). NL operation :
  - 15 different speeds
  - 1 up to 240 units in parallel connection
  - Master - Slave Operation
  - OLEFINI BMS monitoring

